

BW-Sealing Covers Series D

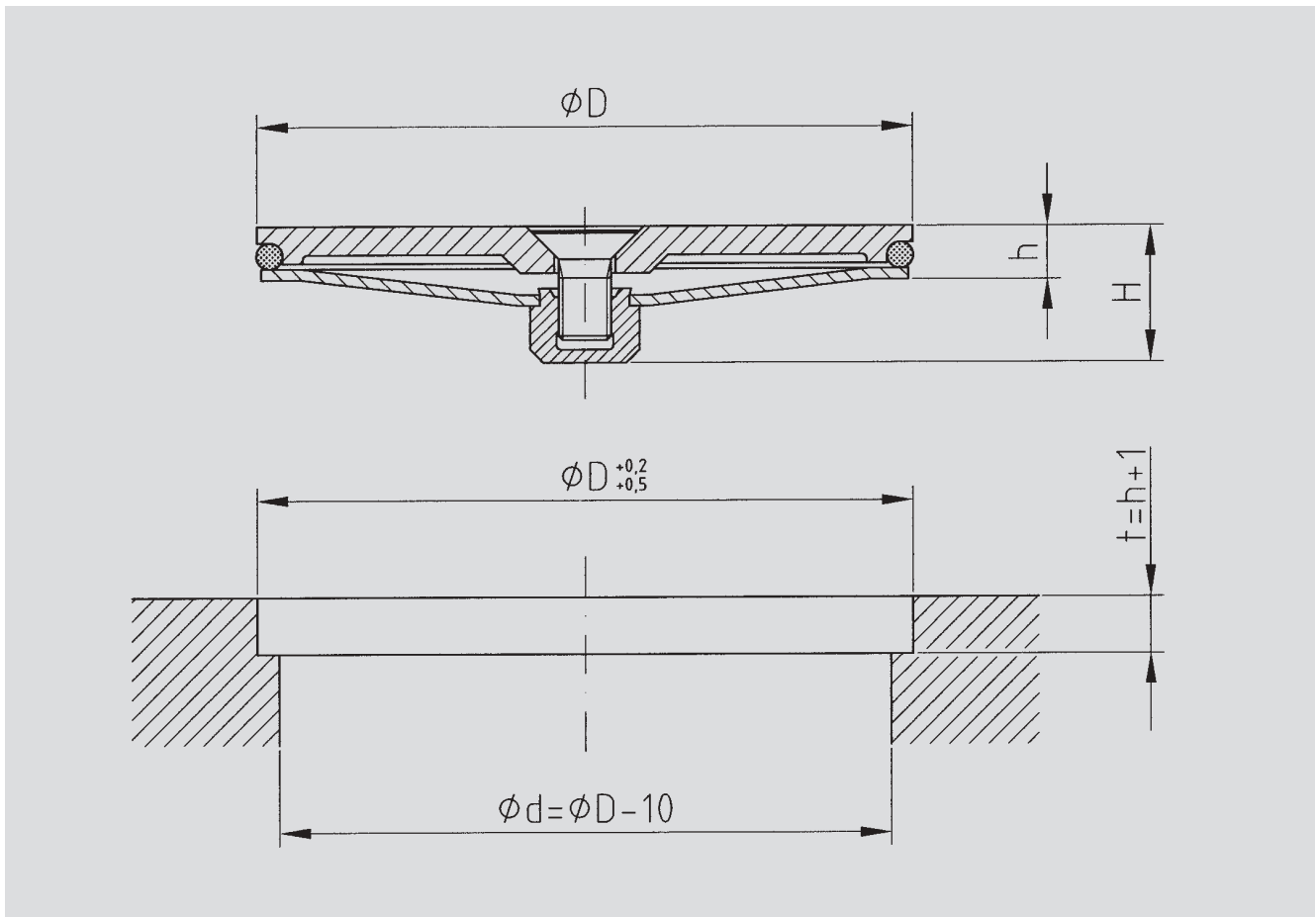


... a simple method
for sealing holes

Dimensions

BWF
...the best for accuracy.

Dimensions of Series D



Description

The BW-Sealing Covers allow the sealing of holes to secure them against oil, cuttings and mud.

The BW-Sealing Covers allow the sealing of holes in a very easy way, with only 1 screw you can mount and dismount the covers in a few seconds.

They can be used at housings, gears, floor plates, columns etc. ...

Size	63	80	90	110	130	150	200	250
H mm	32	32	32	32	32	32	43	43
h mm	11	11	11	11	11	11	11,5	11,5
ϕD mm	63	80	90	110	130	150	200	250

Subject to modification without notice